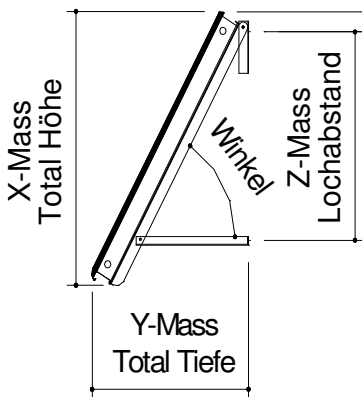
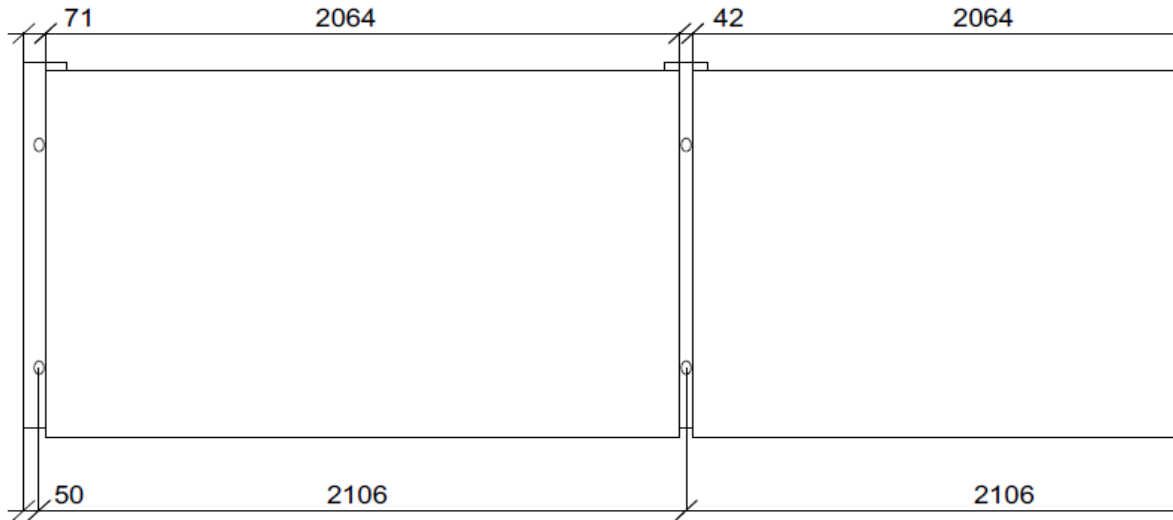
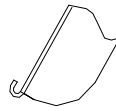


## Technische Daten

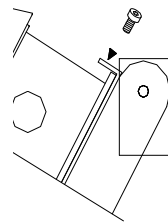
### Fassadenmontage FRIAP TERZA 250



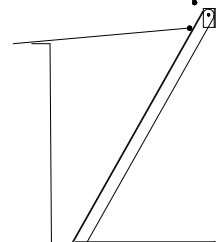
Detail A



Detail B



Detail B



Detail A

| Kollektor         | X – Mass in mm (Höhe) |      |      |     |
|-------------------|-----------------------|------|------|-----|
|                   | 70°                   | 60°  | 45°  | 30° |
| 2.5m <sup>2</sup> | 1280                  | 1200 | 1000 | 760 |

|                   | Y – Mass in mm (Tiefe) |     |      |      |
|-------------------|------------------------|-----|------|------|
| 2.5m <sup>2</sup> | 624                    | 836 | 1107 | 1304 |

|                   | Z – Mass in mm (Lochabstand) |     |     |     |
|-------------------|------------------------------|-----|-----|-----|
| 2.5m <sup>2</sup> | 792                          | 729 | 592 | 413 |

[friap@friap.ch](mailto:friap@friap.ch) [www.friap.ch](http://www.friap.ch)

**FRIAP AG**  
 Ey 9  
 3063 Ittigen  
 Tel. 031 917 51 11  
 Fax 031 917 51 10

**FRIAP AG**  
 Bleicheweg 5  
 5605 Dottikon  
 Tel. 056 616 77 00  
 Fax 056 616 77 19

**FRIAP AG**  
 n-energietechnik  
 Felsenastrasse 31  
 7001 Chur  
 Tel. 081 252 81 20  
 Fax 081 252 81 21

**FRIAP SA**  
 Ch. des Biollettes 13  
 1680 Romont  
 Tel. 026 652 90 50  
 Fax 026 652 90 59